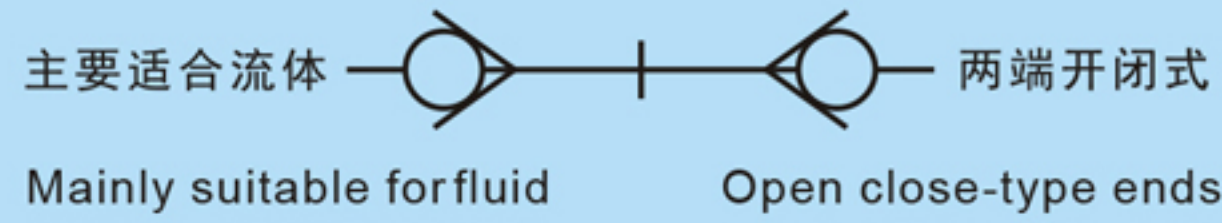


H001 (ISO7241-A)

开闭式液压快速接头

Close Type Hydraulic Quick Coupling



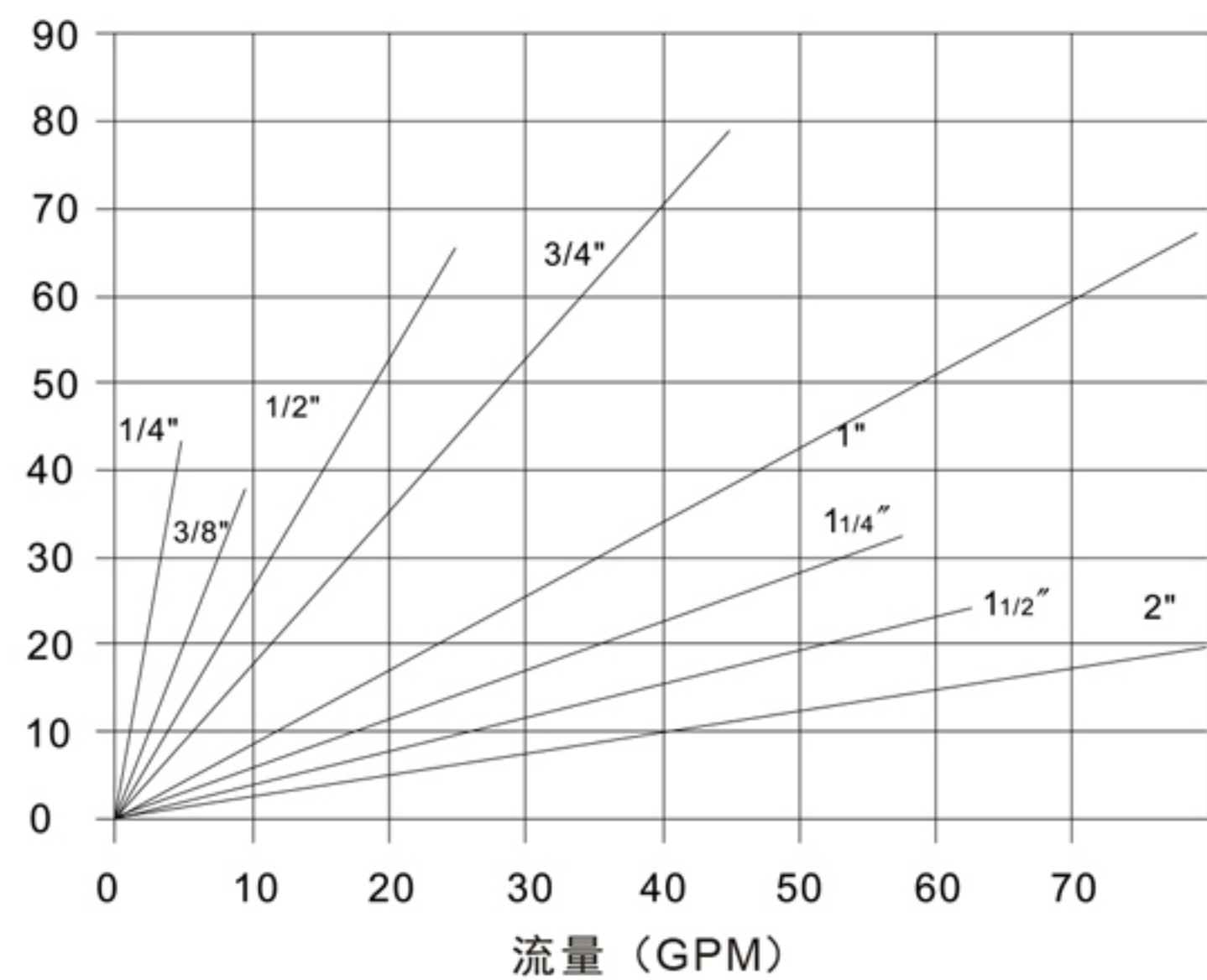
应用与特征 Application and features:

- 1、H001系列液压快速接头主要用于建筑设备、森林设备、液压机械及石油设备等其他所需的液压应用。
 - 2、接头断开时，阀芯自动闭合，防止泄漏，接头连接后，阀自动开启，在额定工作范围内，始终保持流体的畅通。
 - 3、关键部位经过感应淬火，耐用性好。
 - 4、符合ISO7241-A标准。
 - 5、可互换产品：美国派克PARKER 6600系列、意大利快事达FASTERANV系列、美国爱力克AEROQUIP 5600系列、美国汉森HANSEN Ha15000系列。
- 1.The H001 Series hydraulic quick couplings are mainly used for construction equipment, forest equipment, hydraulic machinery and oil equipment and other required hydraulic applications.
 - 2.Poppet valves are available to prevent uncoupled leakage . Poppet valves open automatically when coupled within rated working pressure to keep the flow expeditely.
 - 3.Critical parts are hardened for durability.
 - 4.H001 series conforms to the standard of ISO7241-A.
 - 5.Compatible with PARKER 6600 Series ,FASTERANV Series AEROQUIP 5600 Series and HANSEN HA 15000 Series.

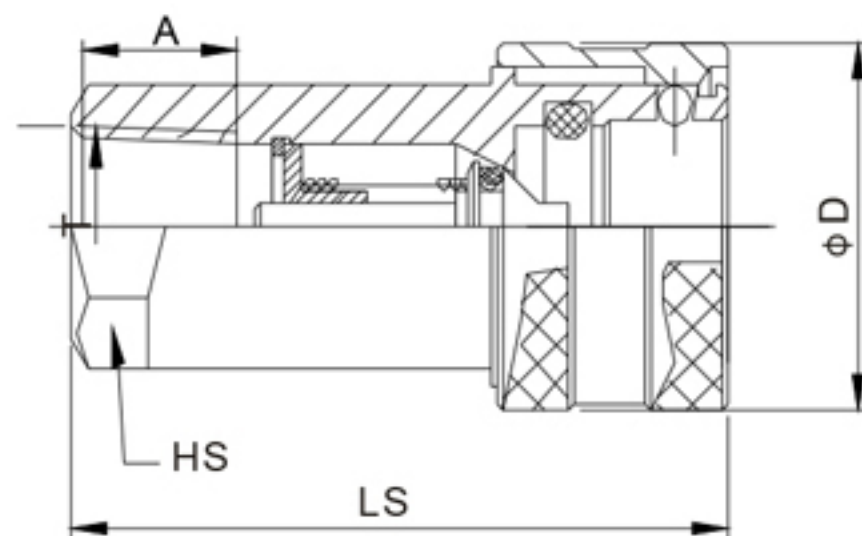
技术规范 Specifications

规格(英寸)Body Size(in)	1/4	3/8	1/2	3/4	1	1-1/4	1-1/2	2
额定压力Rated pressure(PSI)	5000	4000	4000	3000	3000	3000	2000	2000
额定流量Rated flow(GPM)	3	6	12	28	50	88	220	224
温度范围(标准密封圈)Temperture range(std seals)	-20°C~+80°C							
标准密封圈材料为氟橡胶 Standard seal material is	Flourocarbon							

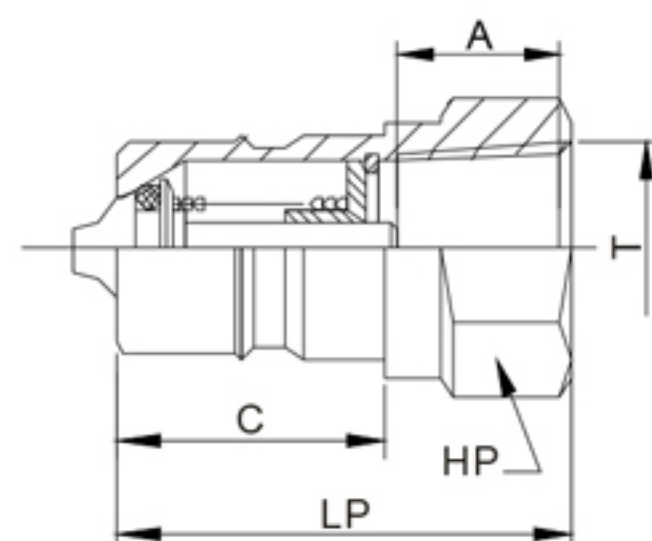
压降Pressure Dropin PSID



母插座 SOCKET



公插头 PLUG



Part No .	LS	φD	HS	A	T
H001-02SF	50	26	19*6角	13	G1/4 NPT1/4
H001-03SF	56	31.5	22*6角	14	G3/8 NPT3/8
H001-04SF	66	39	27*6角	16	G1/2 NPT1/2
H001-06SF	80	48	34*6角	18	G3/4 NPT3/4
H001-08SF	94	58	41*6角	21	G1 NPT1
H001-10SF	112	69	50*6角	25	G1-1/4 NPT1-1/4
H001-12SF	127.5	84.5	60*6角	25.5	G1-1/2 NPT1-1/2
H001-16SF	158	99	75*6角	26	G2 NPT2

Part No .	LP	C	HP	A	T
H001-02PF	35.5	14.5	19*6角	13	G1/4 NPT1/4
H001-03PF	36.5	21.5	22*6角	14	G3/8 NPT3/8
H001-04PF	43.5	27	27*6角	16	G1/2 NPT1/2
H001-06PF	57	28	34*6角	18	G3/4 NPT3/4
H001-08PF	59.5	36	41*6角	21	G1 NPT1
H001-10PF	70	69	50*6角	25	G1-1/4 NPT1-1/4
H001-12PF	78	84.5	60*6角	25.5	G1-1/2 NPT1-1/2
H001-16PF	98	99	75*6角	26	G2 NPT2